



MONTIGO[®]
the art of fireplaces
www.montigo.com

H-Series~H38

Direct Vent
Flush Face
Single Sided Fireplace



HR38DF with River Rocks shown

H-Series ~ H38

Direct Vent, Flush Face Single Sided Fireplace



H38DF Traditional Logset shown



HL38DF - Linear Burner with Glass Beads shown



HW38DF - Alternate Logs shown

Features:

- ❑ Large viewing areas for a full view of the spectacular fire
- ❑ Flush or Clean-Face Design allows for brick or tile installation over the fireplace frame
- ❑ Convertible using Top Vent or Side vent
- ❑ Snap-Lock door system for tool free access
- ❑ 100% fail-safe shut-off valve on all models

Options:

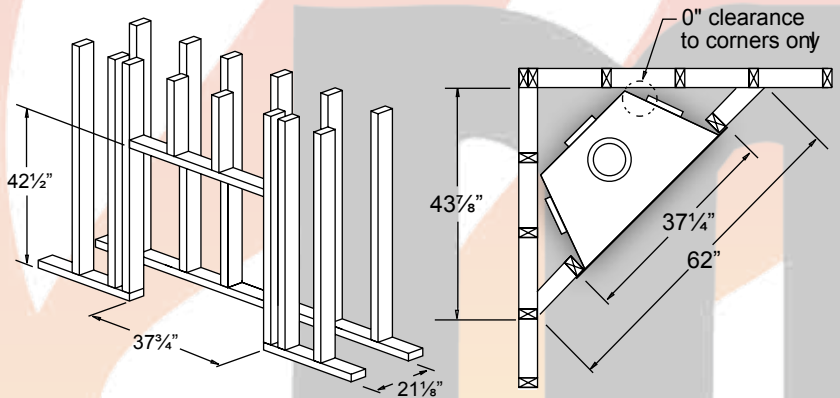
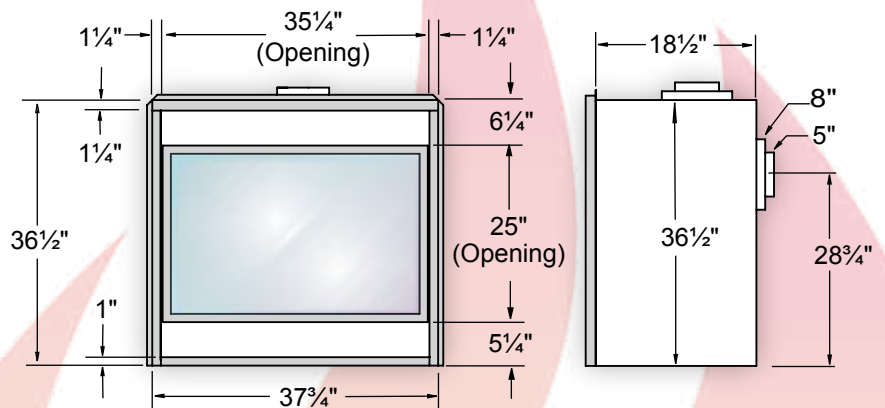
- ❑ Ignition options allow for Hi/Lo control for adjusting flame level & battery backup
- ❑ Wireless remote control
- ❑ A choice of 3 burner accessory styles: Traditional Logset, River Rocks, Linear Contemporary with Glass Beads‡ & Premium Logset
- ❑ Wrought Iron Grate
- ❑ Choose from 3 brick linings
- ❑ 2 Door covers available: Starburst, Arched
- ❑ Safety Door Screen
- ❑ H*(S)38DF Full stainless steel construction, approved for outdoor use

Fireplace BTU/H Input			
Model#	Accessories	Natural Gas	Liquid Propane
H38DF	Traditional Logs	26,000	26,000
HR38DF	River Rocks	26,000	N/A
HL38DF	Glass Beads	25,000	25,000
HW38DF	Premium Logset	34,000	30,000

‡ Visit our website at www.montigo.com for glass bead colour samples and styles

Consult the owner's manual for complete installation instructions and proper clearances to combustible surfaces prior to installing fireplace.

All specifications, framing dimensions, product designs, materials and colors are subject to change without notice. The actual flame pattern, color and accessories may differ from the illustrations. Please verify actual specifications at the time of purchase. Diagrams and illustrations are not to scale.



Warranty: The manufacturer warrants this fireplace to be free from defects in materials and workmanship at the time of manufacture. There is a limited 10 year warranty on the firebox; 5 year limited warranty on the burner and 1 year limited warranty on the pilot burner assembly and fan motors (if included). The valve carries a limited 1 year warranty unless otherwise specified in the installation manual. Glass, plated/painted finishes and refractory lining are exempt.



www.montigo.com

Ferndale, Washington
TF 1.800.789.6236
FX 1.866.300.0927

Langley, British Columbia
TF 1.800.378.3115
FX 1.604.607.6462



Available at:

Printed in Canada

P/N XB2002

032811